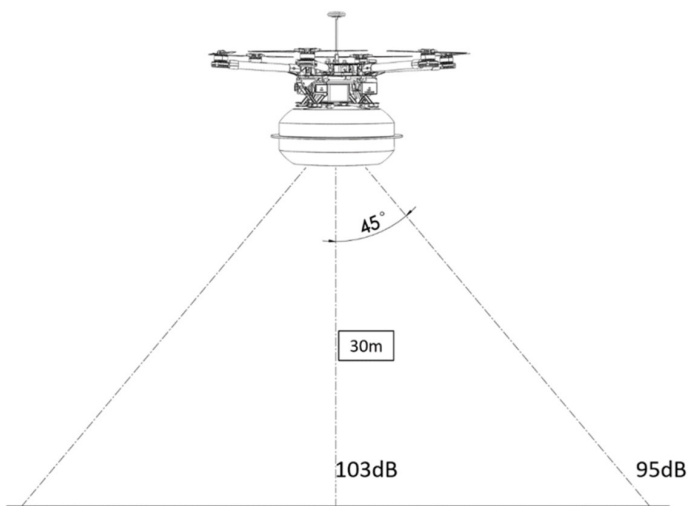


ES PD

The ES-PD brings wide area signalling into the modern era being the first large area siren operating from a drone.

The restraints of all other sirens are removed for the ES-PD which can simply fly over any area that requires audible notification. Operation of the drone can be automated using DJI software and the siren tones can be operated using 868MHz radio from a portable console or switch unit.

As with all ES systems the ES-PD is able to output tones and/or pre-recorded messages for clear instruction.



Features

- Audibility of 103dB(A) at 30m
- 4 user selectable & configurable emergency signals.
- Operation of 2 pre-recorded messages and additional can be incorporated as part of the emergency signal tones.
- Ready to Fly solution utilising the DJI M600 Pro, suitable for industrial applications.
- Autonomous take off, flight path and landing using the ground station pro application
- Programming port allows tones and operation to be adjusted as required allowing versatile deployment.
- At least 15min of flight time even in harsh environments (max flight time 20min)
- Also available as auxiliary equipment for UAV's with payload of at least 4.2kgs
- Suitable for direct alarm and notification on industrial facilities, civil defense sites, public security and crowd control subject to local aviation laws.
- Operating temperature range of -10 to +60 degrees C

Note: Levels are indicated over unobstructed flat ground through still air in the prime direction.

Siren Model	Distance from Siren					
	1m	30m	500m	1km	3km	5km
ES-PD	133	103	79	73	63	59